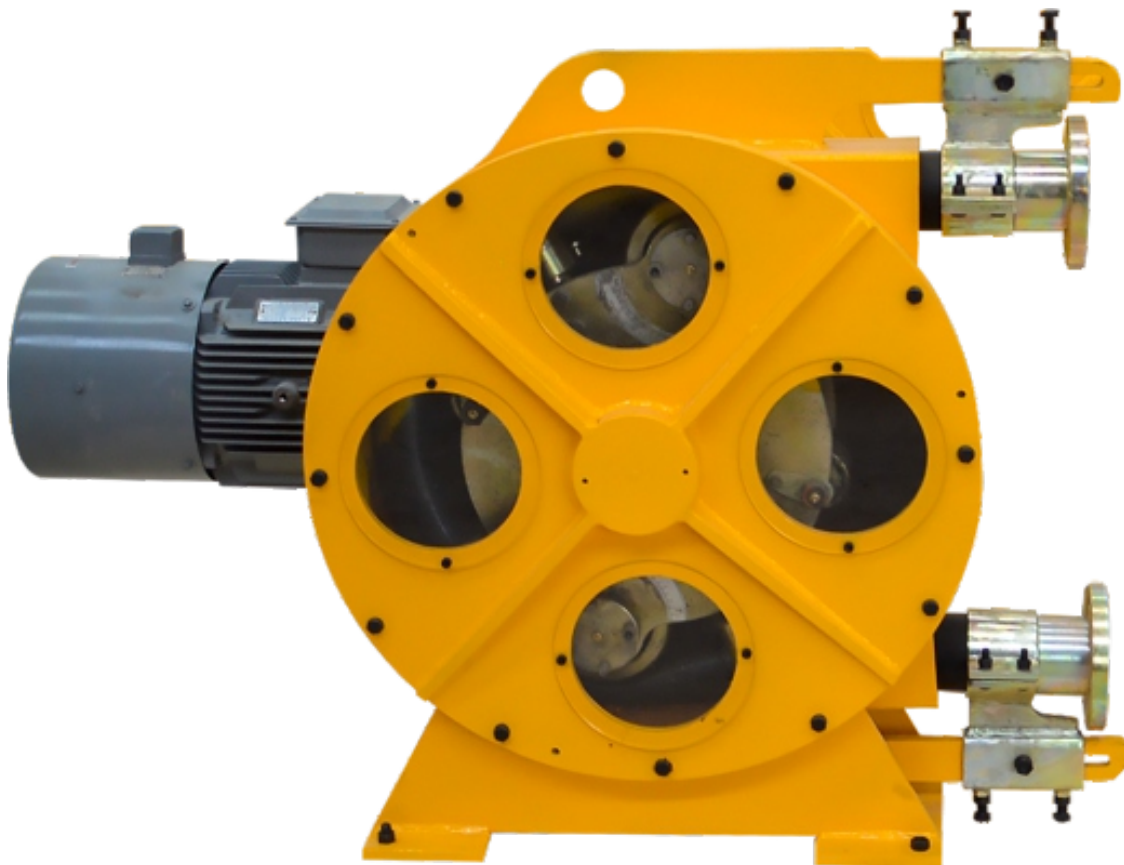




GH76-915B Peristaltic Pump Used for Conveying Milk



GAODE EQUIPMENT CO., LTD.

Fields of Application

■ Construction

Conveying and spraying of mortar and concrete



■ Pharmacy

Conveying of corrosive and poisonous materials



■ Textile Mill

Conveying of fiber contained fluid, dye and waste water



■ Dye Making

Conveying of coating, paint and color



■ Water Treatment

Conveying of water and waste water



■ Papermaking

Conveying of pulp, color and glues



■ Mining

Conveying of mineral waste residue



■ Ceramic

Conveying of glaze slip and color



■ Brewery and Beverage

Conveying of beer, wine, milk, juice, additive and residue



■ Underground Engineering

Conveying of mud fluid in TBM



Advantages:

No seals

No valves

Self-priming

Only squeeze hose replace

Dry-running without damage

Reversible

No contact between product and mechanical parts

Able to pump products with solid parts inside

Easy maintenance, low-cost, short down time

Perfect Pump for:

Corrosive

Abrasives

Shear sensitive fluids

High viscosity fluids

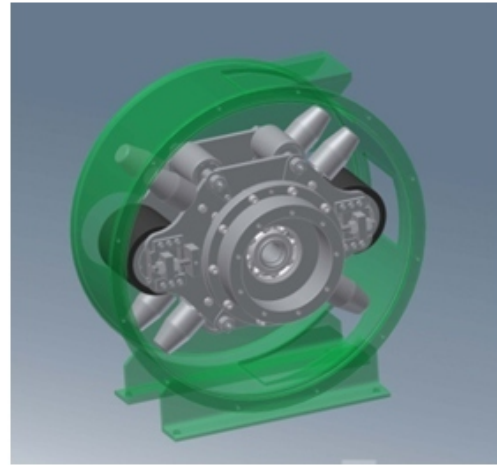
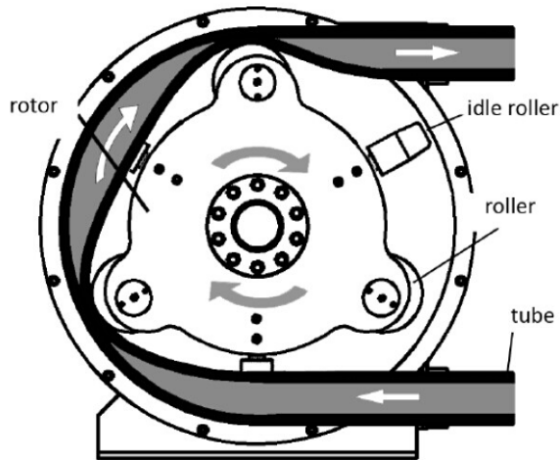
High density fluids

Large solids

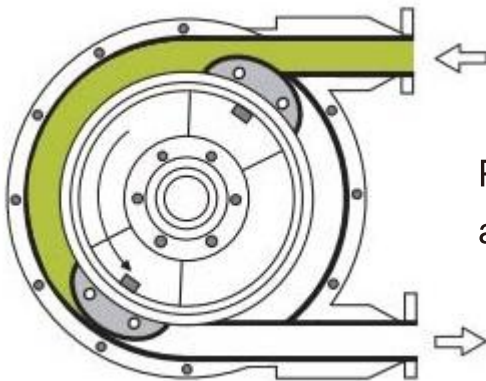
Metering ($\pm 1\%$)

High Pressure (3 MPa)

Working Principle



GH series industrial hose pump (squeeze pump) consists mainly of pump house, rotor, roller, idle roller, squeeze hose and driving unit. The squeeze hose is U-shape in pump house, when rotor drives roller to rotate, hose is deformed. After the roller rotate, the deformed hose recover by its elasticity. Thus the negative pressure in this hose is generated, sucking slurries, and discharging through outlet under roller's push, finally forms pressure conveying of slurries.



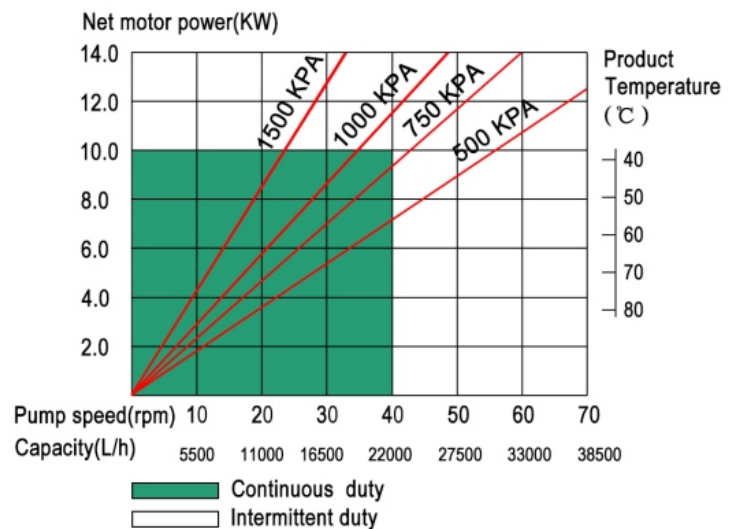
Press shoe structure could be customized according to different requirement

GH76-915

Capacity: 9.77 L/rev

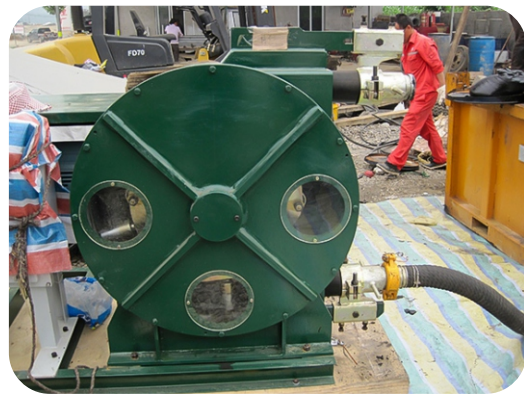
Max discharge pressure: 10 bar

Hose inner diameter: 76 mm



Note

1. Intermittent duty: Max. 2 hours working and stop for 1 hour
2. Flow rate takes water as medium
3. You may inquiry to us if the model you need is not listed



Gaode Equipment Co., Ltd.

Email address: sales5@gadotec.com

Website: www.hosepumpforsale.com